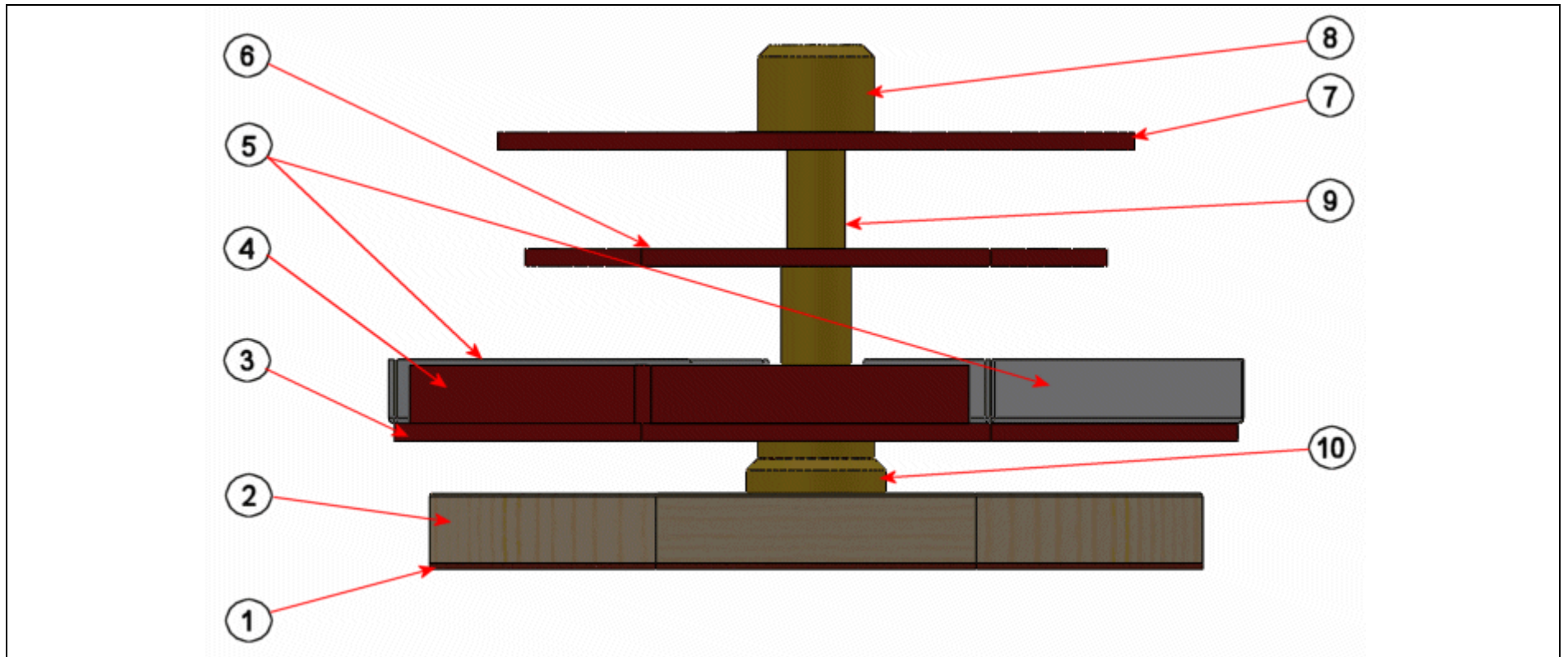
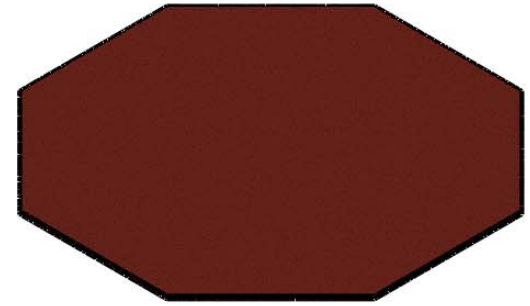
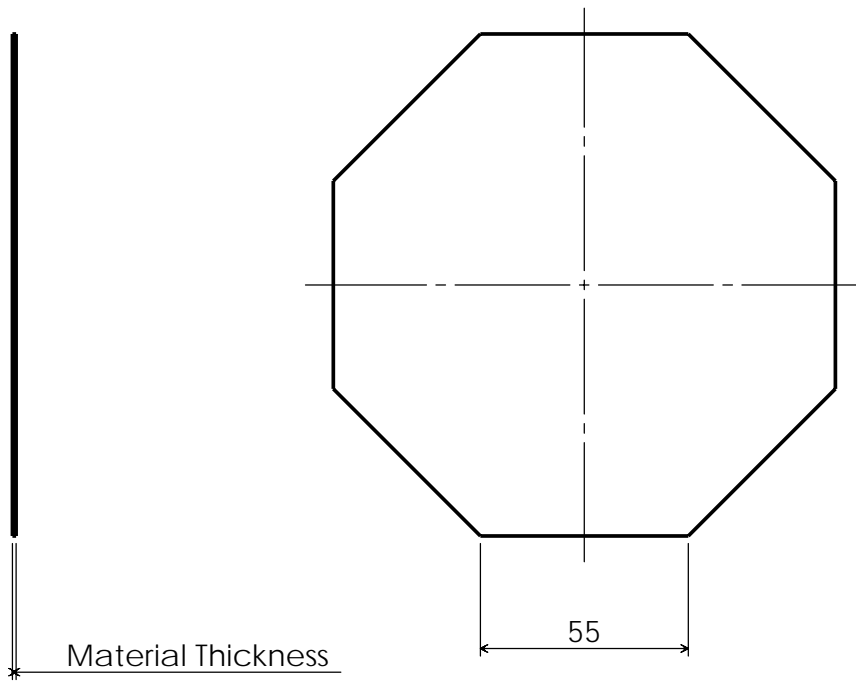


Name : _____

Part	Complete
1	
2	
3	
4	
5	
6	
7	
8	
9	
10	





Desk Tidy	2011
PracticalStudent.com	
Part Number : 1	
Part Name : Base Protector	
Material : Felt	A4
	25/8/11
Required : 1	Drawing 1 of 10

Before Starting

Tools for Marking Out :

Tools for Manufacturing :

Skill I am going to concentrate on :

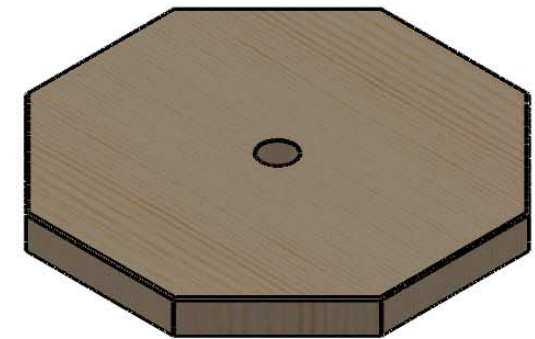
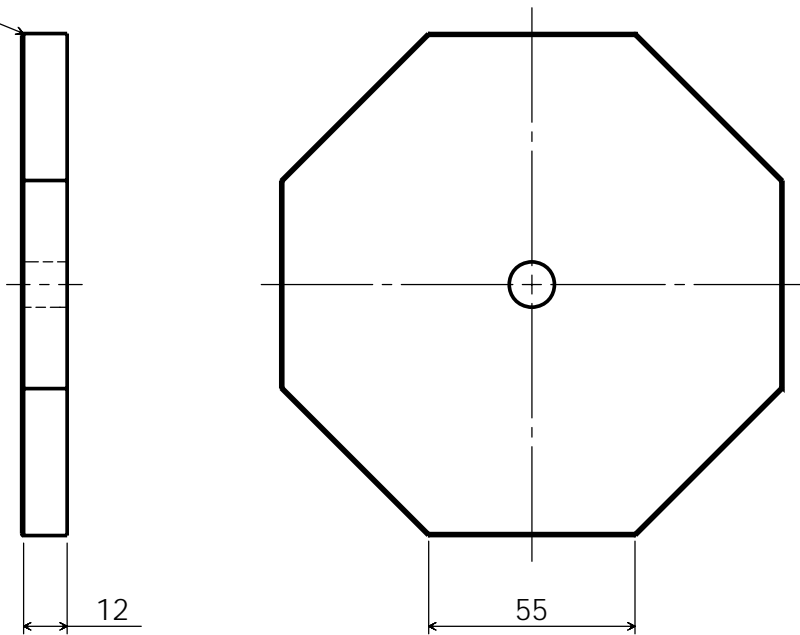
After completion

Marking Accuracy	Poor	Medium	Good
Hacksawing & Filing Quality	Poor	Medium	Good
Surface Finish	Poor	Medium	Good

What did I do well :

What do I need to improve on :

— Sand top edges to remove sharpness



Desk Tidy	2011
PracticalStudent.com	
Part Number : 2	
Part Name : Base	
Material : Wood	A4
	25/8/11
Required : 1	Drawing 2 of 10

Before Starting

Tools for Marking Out :

Tools for Manufacturing :

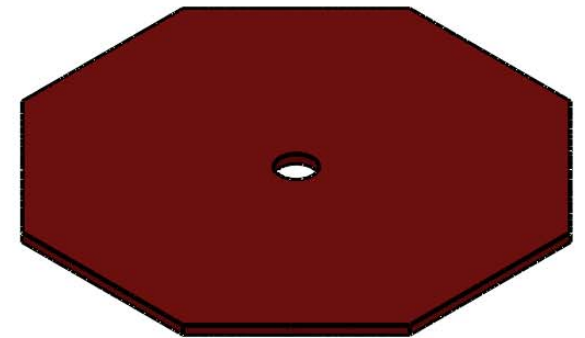
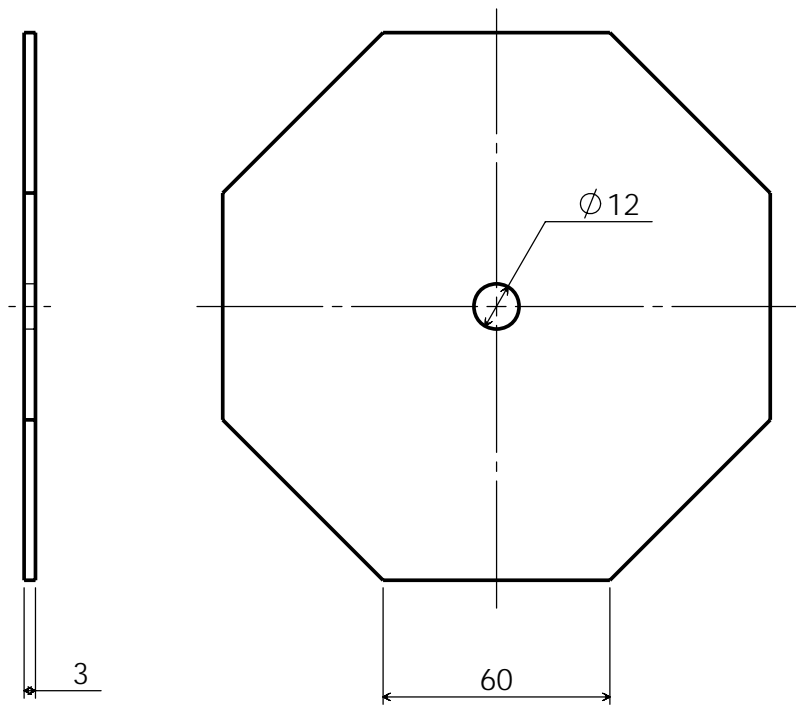
Skill I am going to concentrate on :

After completion

Marking Accuracy	Poor	Medium	Good
Hacksawing & Filing Quality	Poor	Medium	Good
Surface Finish	Poor	Medium	Good

What did I do well :

What do I need to improve on :



Desk Tidy	2011
PracticalStudent.com	
Part Number : 3	
Part Name : Tray	
Material : Perspex	A4
Required : 1	25/8/11
Drawing 3 of 10	

Before Starting

Tools for Marking Out :

Tools for Manufacturing :

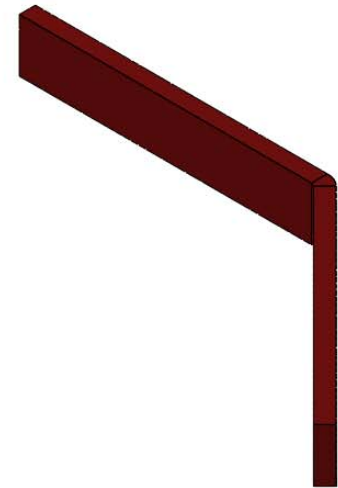
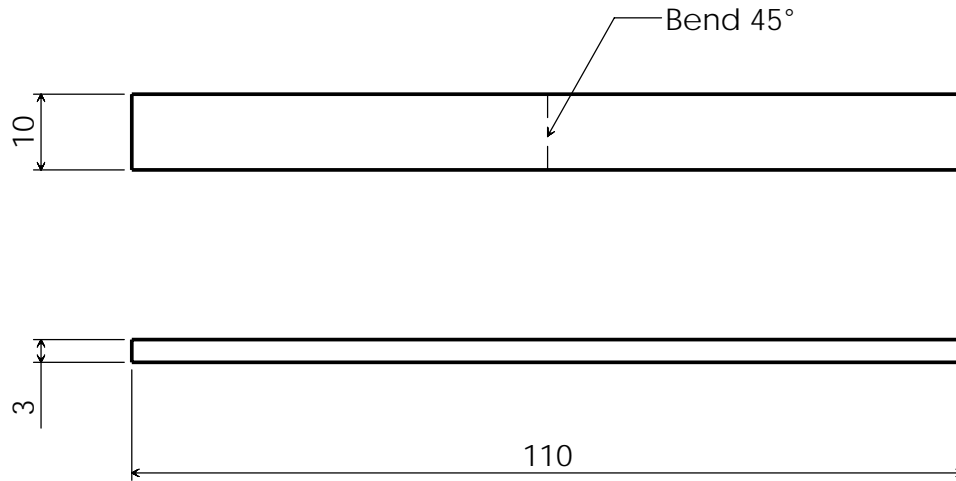
Skill I am going to concentrate on :

After completion

Marking Accuracy	Poor	Medium	Good
Hacksawing & Filing Quality	Poor	Medium	Good
Surface Finish	Poor	Medium	Good

What did I do well :

What do I need to improve on :



Desk Tidy	2011
PracticalStudent.com	
Part Number : 4	
Part Name : Tray Edging	
Material : Perspex	A4
	25/8/11
Required : 2	Drawing 4 of 10

Before Starting

Tools for Marking Out :

Tools for Manufacturing :

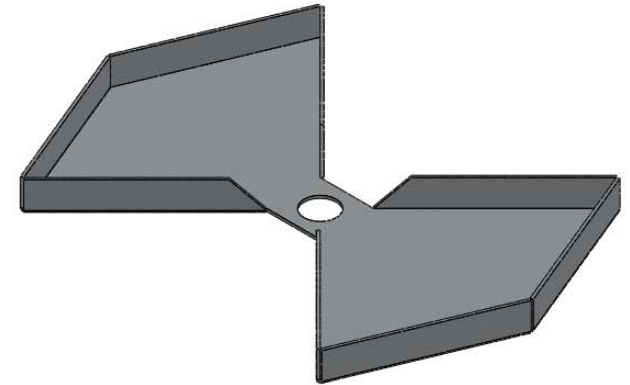
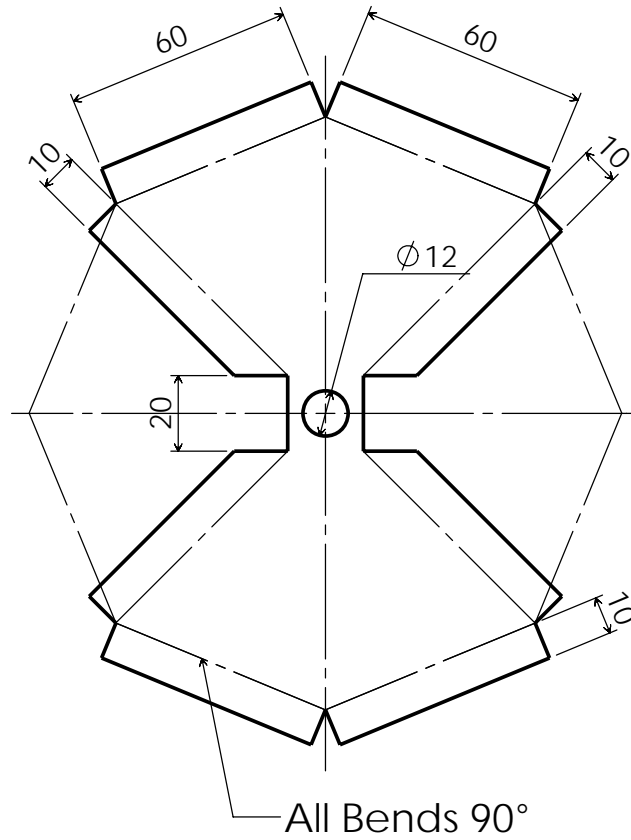
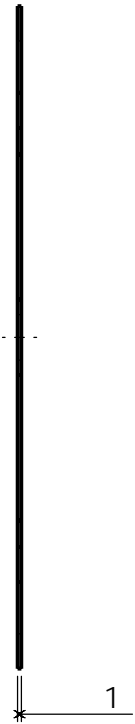
Skill I am going to concentrate on :

After completion

Marking Accuracy	Poor	Medium	Good
Hacksawing & Filing Quality	Poor	Medium	Good
Surface Finish	Poor	Medium	Good

What did I do well :

What do I need to improve on :



Desk Tidy	2011
PracticalStudent.com	
Part Number : 5	
Part Name : Tray Divider	
Material : Aluminium	A4
Required : 1	25/8/11
Drawing 5 of 10	

Before Starting

Tools for Marking Out :

Tools for Manufacturing :

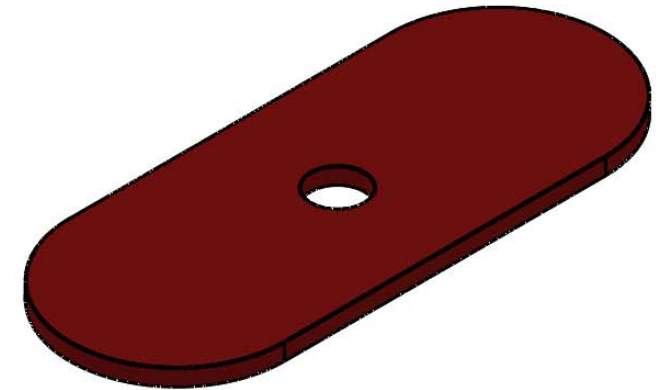
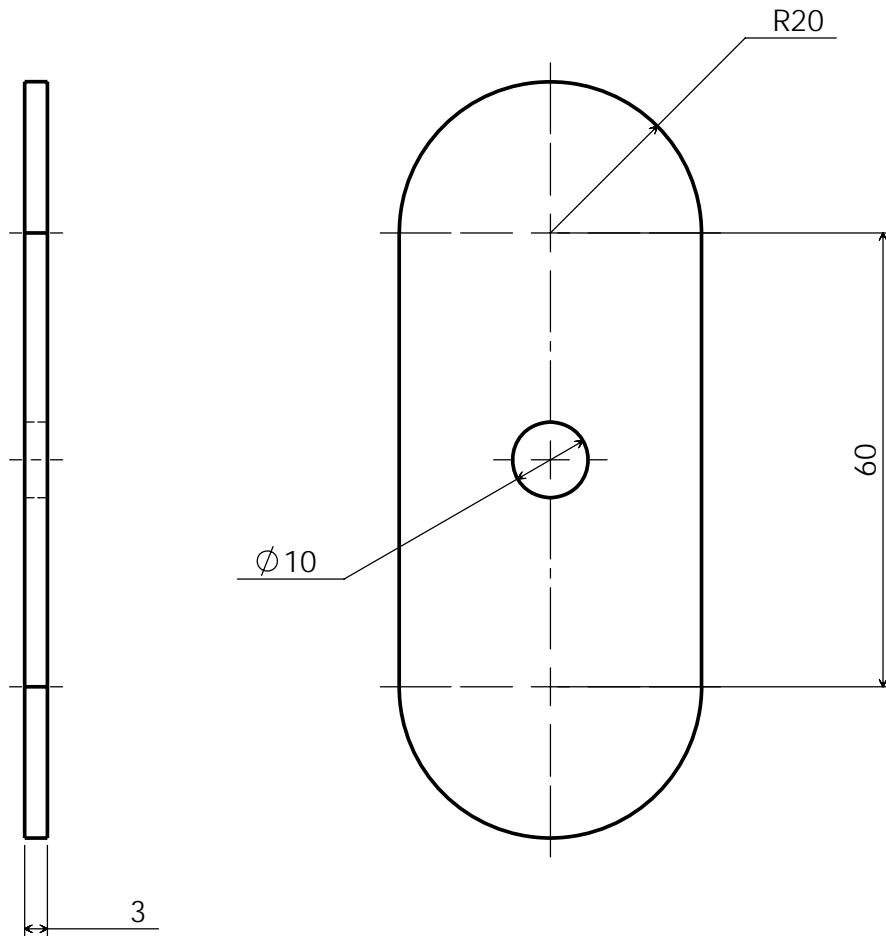
Skill I am going to concentrate on :

After completion

Marking Accuracy	Poor	Medium	Good
Hacksawing & Filing Quality	Poor	Medium	Good
Surface Finish	Poor	Medium	Good

What did I do well :

What do I need to improve on :



Desk Tidy	2011
PracticalStudent.com	
Part Number : 6	
Part Name : Shelf	
Material : Perspex	A4
Required : 1	25/8/11
Drawing 6 of 10	

Before Starting

Tools for Marking Out :

Tools for Manufacturing :

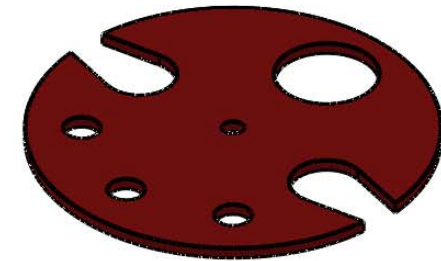
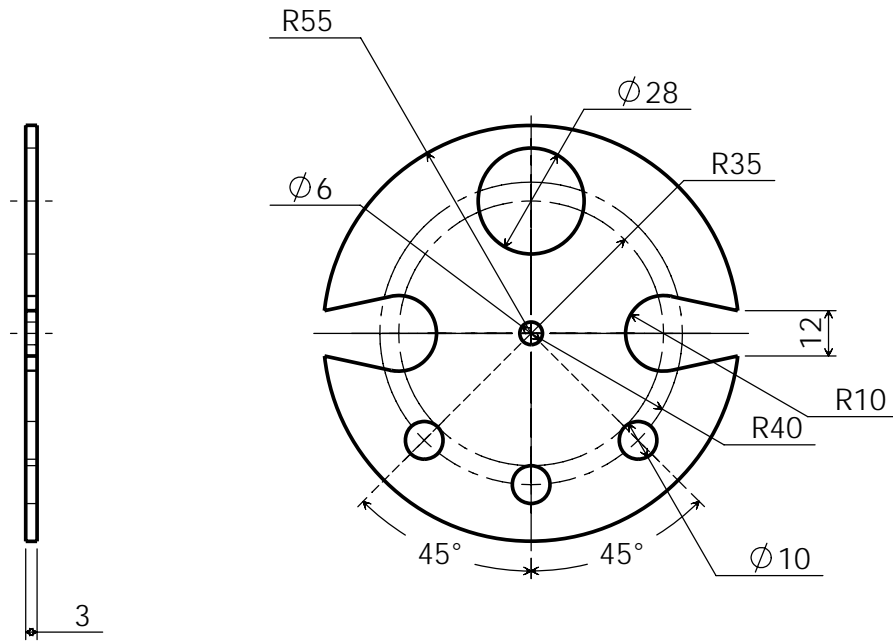
Skill I am going to concentrate on :

After completion

Marking Accuracy	Poor	Medium	Good
Hacksawing & Filing Quality	Poor	Medium	Good
Surface Finish	Poor	Medium	Good

What did I do well :

What do I need to improve on :



Desk Tidy	2011
PracticalStudent.com	
Part Number : 7	
Part Name : Rack	
Material : Perspex	A4
Required : 1	25/8/11
Drawing 7 of 10	

Before Starting

Tools for Marking Out :

Tools for Manufacturing :

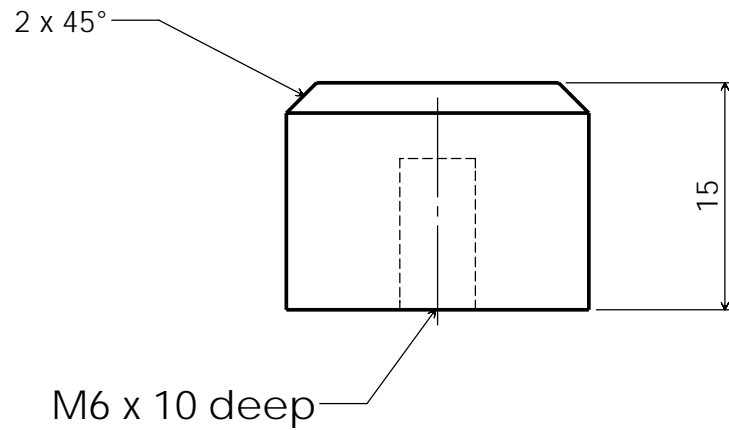
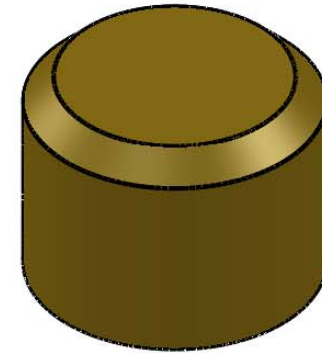
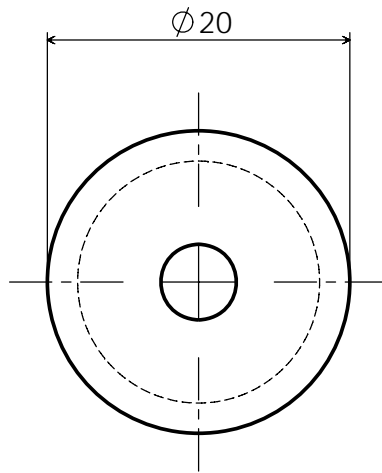
Skill I am going to concentrate on :

After completion

Marking Accuracy	Poor	Medium	Good
Hacksawing & Filing Quality	Poor	Medium	Good
Surface Finish	Poor	Medium	Good

What did I do well :

What do I need to improve on :



Desk Tidy	2011
PracticalStudent.com	
Part Number : 8	
Part Name : Knob	
Material : Brass / Aluminium	A4
	25/8/11
Required : 1	Drawing 8 of 10

Before Starting

Tools for Marking Out :

Tools for Manufacturing :

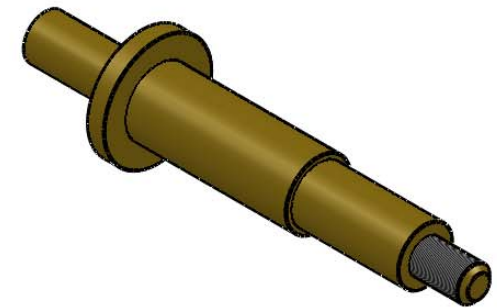
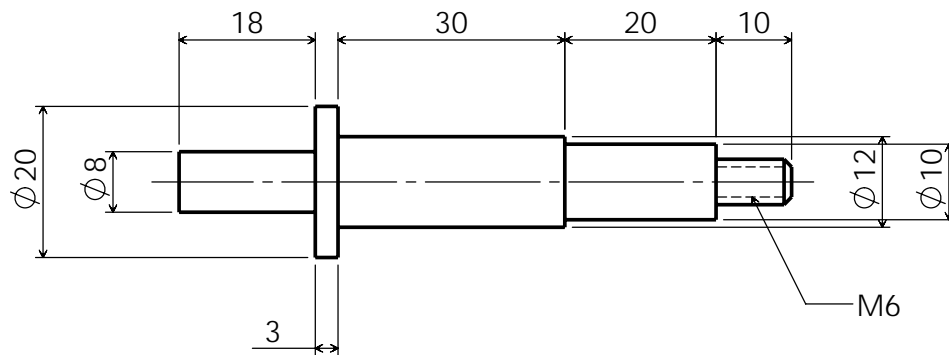
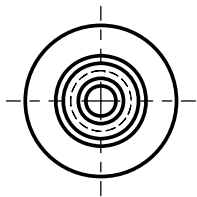
Skill I am going to concentrate on :

After completion

Marking Accuracy	Poor	Medium	Good
Hacksawing & Filing Quality	Poor	Medium	Good
Surface Finish	Poor	Medium	Good

What did I do well :

What do I need to improve on :



Desk Tidy	2011
PracticalStudent.com	
Part Number : 9	
Part Name : Spindle	
Material : Brass / Aluminium	A4
	25/8/11
Required : 1	Drawing 9 of 10

Before Starting

Tools for Marking Out :

Tools for Manufacturing :

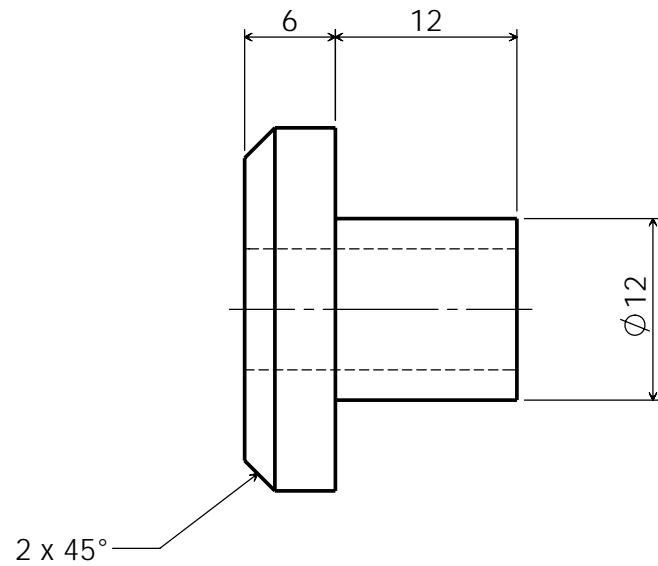
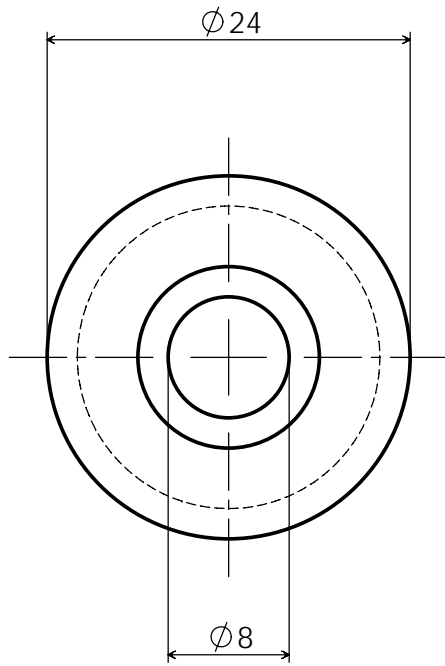
Skill I am going to concentrate on :

After completion

Marking Accuracy	Poor	Medium	Good
Hacksawing & Filing Quality	Poor	Medium	Good
Surface Finish	Poor	Medium	Good

What did I do well :

What do I need to improve on :



Desk Tidy	2011
PracticalStudent.com	
Part Number : 10	
Part Name : Bush	
Material : Brass / Aluminium	A4
Required : 1	25/8/11
Drawing 10 of 10	

Before Starting

Tools for Marking Out :

Tools for Manufacturing :

Skill I am going to concentrate on :

After completion

Marking Accuracy	Poor	Medium	Good
Hacksawing & Filing Quality	Poor	Medium	Good
Surface Finish	Poor	Medium	Good

What did I do well :

What do I need to improve on :