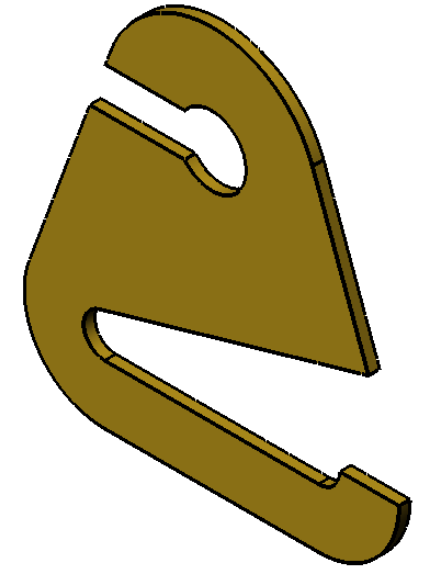
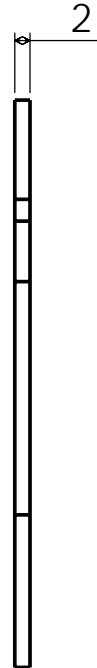
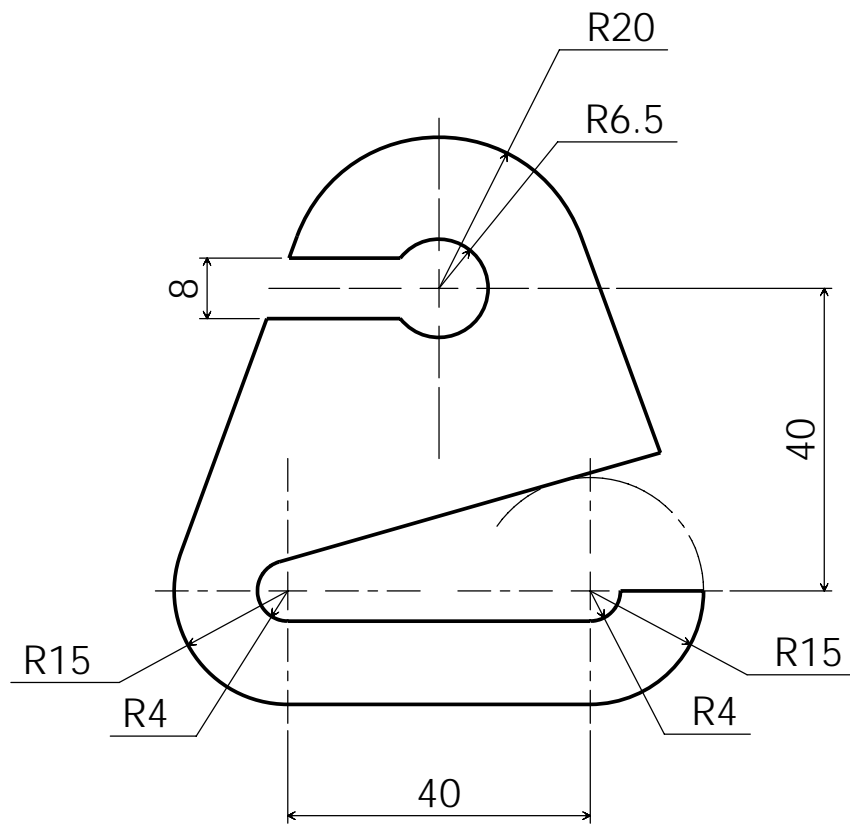




Name : \_\_\_\_\_

Part	Complete
1	





The Tie Holder	J.C.
PracticalStudent.com	
Part Number : 1	
Part Name : Tie Holder	
Material : Brass, Aluminium or Steel	A4
	2/8/07
Required : 1	Drawing 1 of 1

Before Starting

Tools for Marking Out :

Tools for Manufacturing :

Skill I am going to concentrate on :

After completion

Marking Accuracy	Poor	Medium	Good
Hacksawing & Filing Quality	Poor	Medium	Good
Surface Finish	Poor	Medium	Good

What did I do well :

What do I need to improve on :