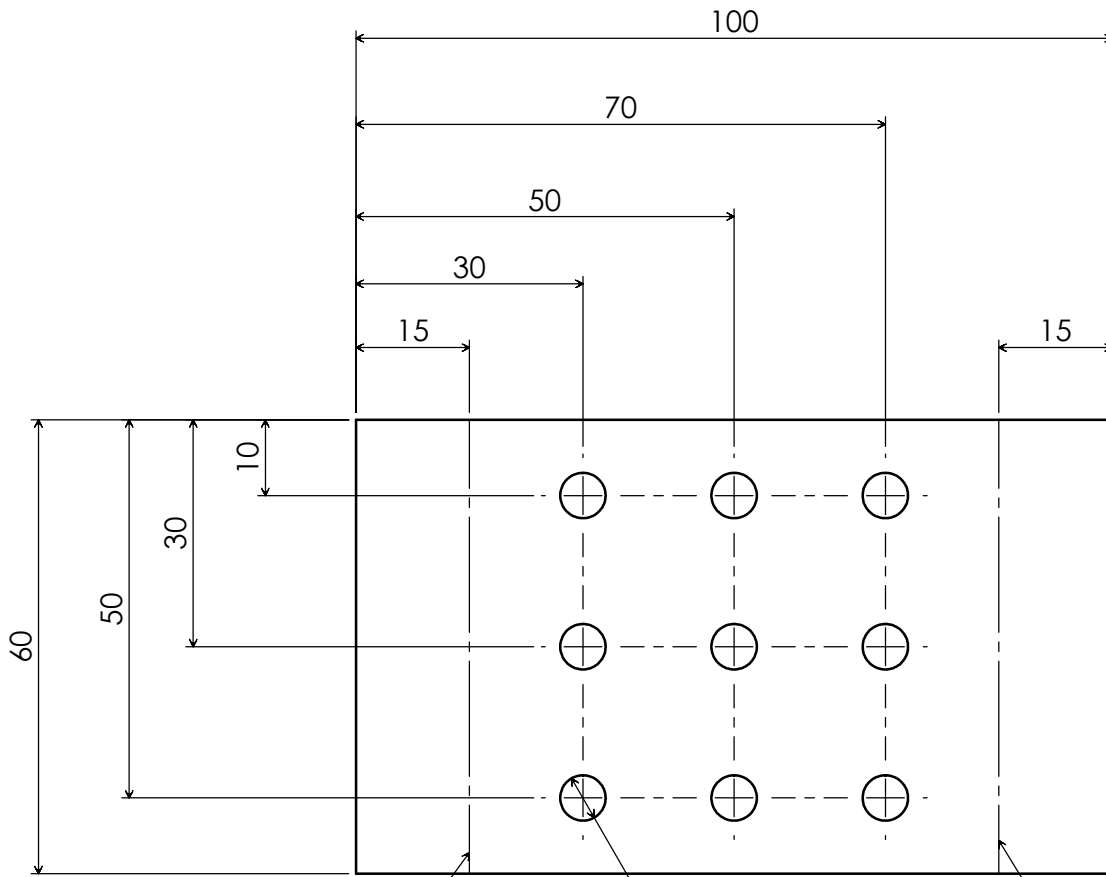




Name : \_\_\_\_\_

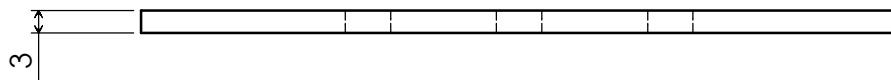
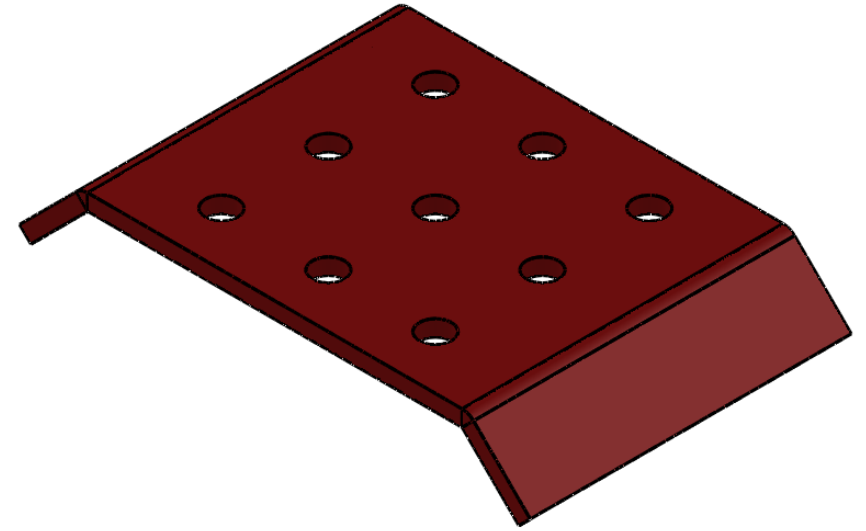
Part	Complete
1	
2	



Bend 45°

Ø6 x 9

Bend 45°



Xs & Os	JC
PracticalStudent.com	
Part Number : 1	
Part Name : Base	
Material : Acrylic	A4
Required : 1	1/4/14
Drawing 1 of 1	



Get 5 Golf Tees of one colour and 5 of a different colour. These will be your Xs and Os.

Using a Junior Hacksaw cut them to approximately 20mm in length. When you place them in the Base they should not touch the table, so you may need to cut them slightly shorter than 20mm.

Before Starting

Tools for Marking Out :

Tools for Manufacturing :

Skill I am going to concentrate on :

After completion

Marking Accuracy	Poor	Medium	Good
Hacksawing & Filing Quality	Poor	Medium	Good
Surface Finish	Poor	Medium	Good

What did I do well :

What do I need to improve on :