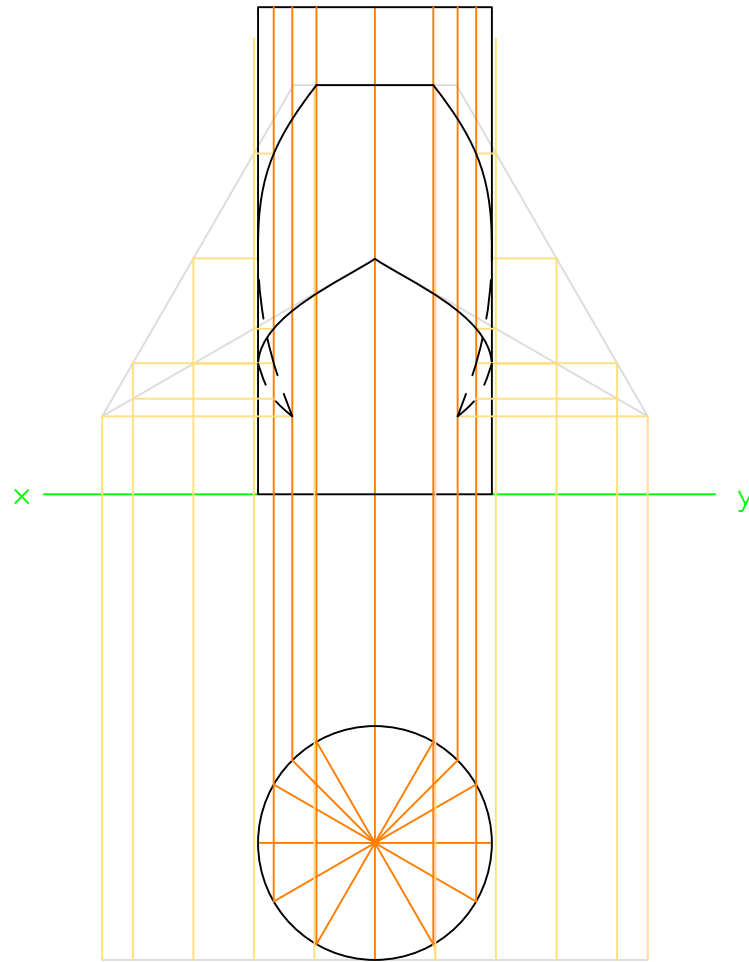
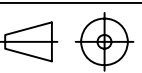


Elevation



Plan



Leaving Certificate	
Paper 1	Developments
DL	
2002	Question 4