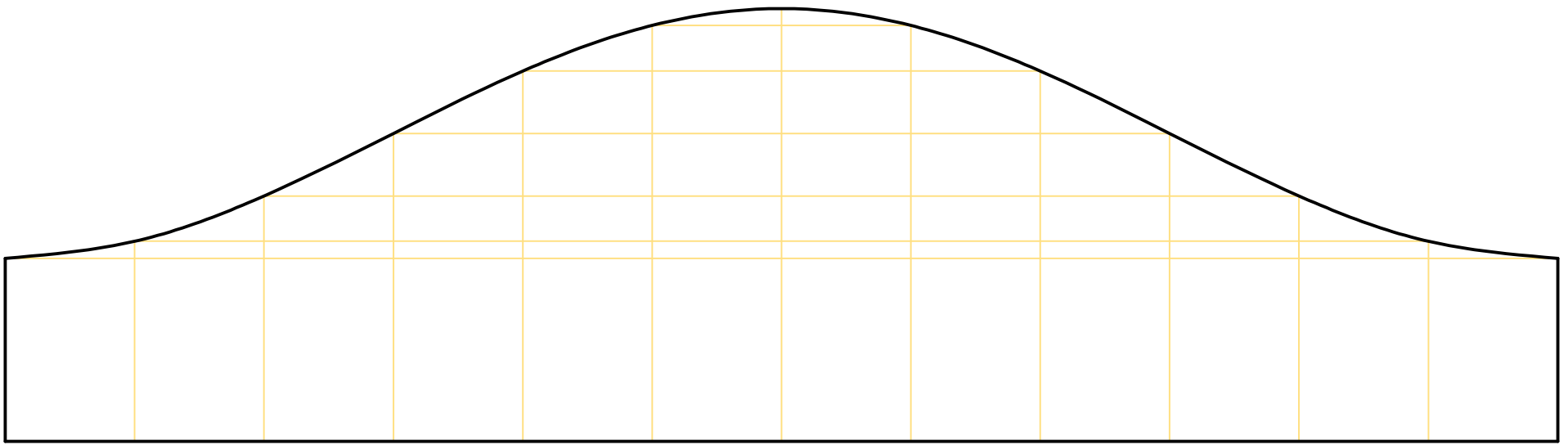
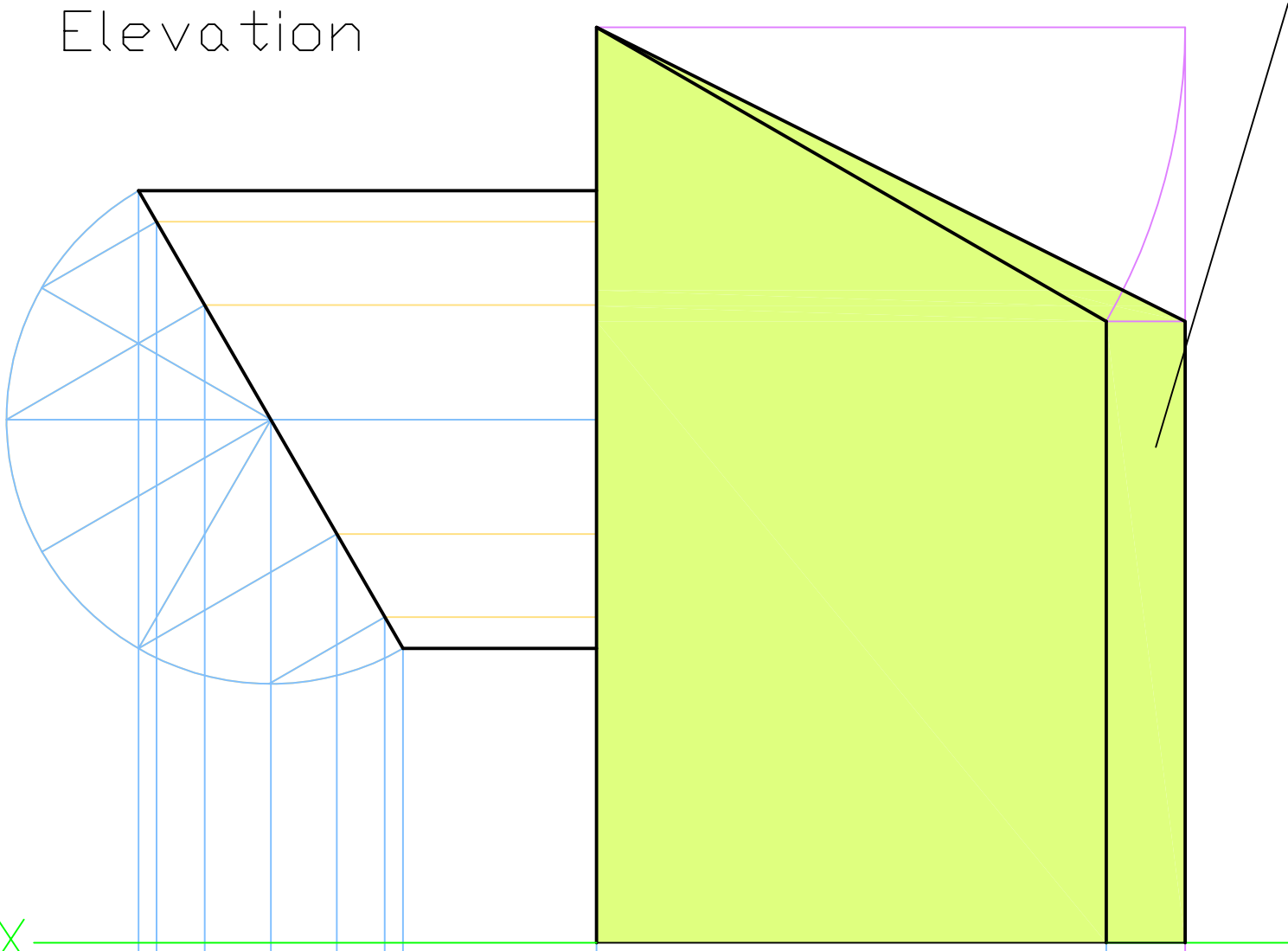


Development of Surface A

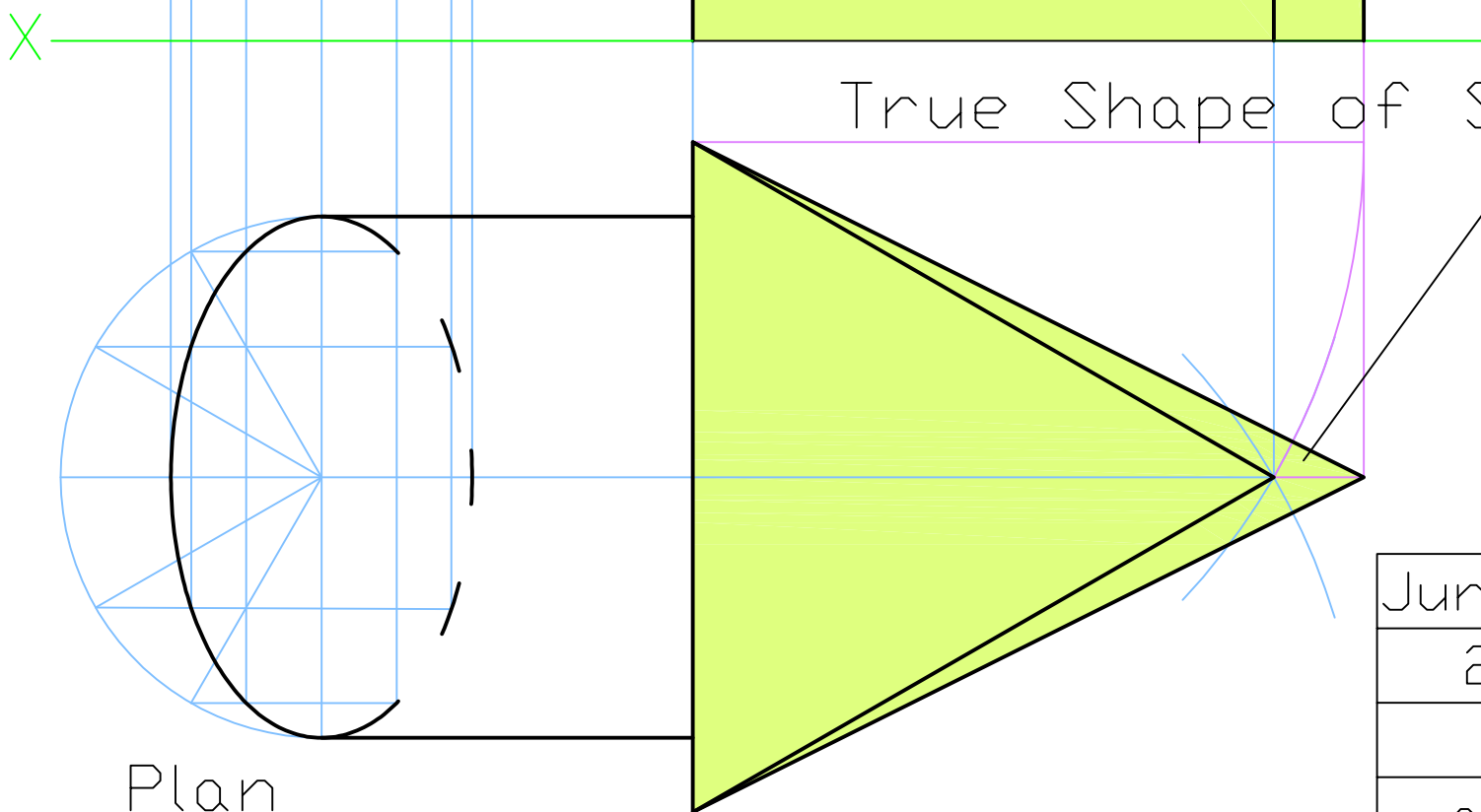


True Shape of Surface B

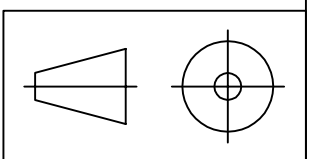
Elevation



True Shape of Surface C



Plan



Junior Certificate	
2005	Development
HL	
Sect B	Question 4